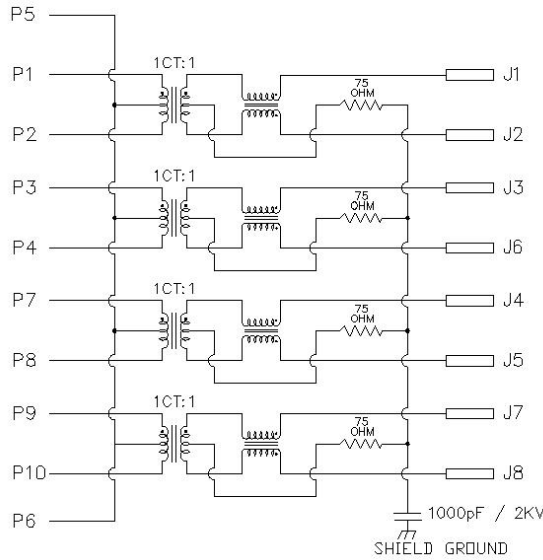


**Electrical Specifications @25°C**



- OCL:150uH Min. @100KHz, 0. 1V, 10. 8mA DC BIAS
- TURNS RATIO:1CT:1CT(±3%)
- DCR: 1. 2 Ω Max.
- HI-POT:1500Vrms
- INSERTION LOSS: -0. 5dB Max. @1-50MHz  
-1. 5dB Max. @50-125MHz
- RETURN LOSS: -19. 0dB Min. @1-40MHz  
-20dB+15\*LOG (F/40MHz) dB 40-200MHz
- CROSS TALK:-20dB Min. @1-200MHz
- Terminal:0. 35mm thick phosphorbronze plated with 6u gold in contact area
- Housing Material and Terminals Bracket: PBT Black
- Shield: C2680T=0. 2mm, Nickel plating on all area
- Operating temperature range: 0°C to +70°C

**Schematic**



**Mechanical**

