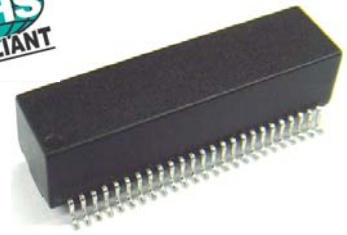


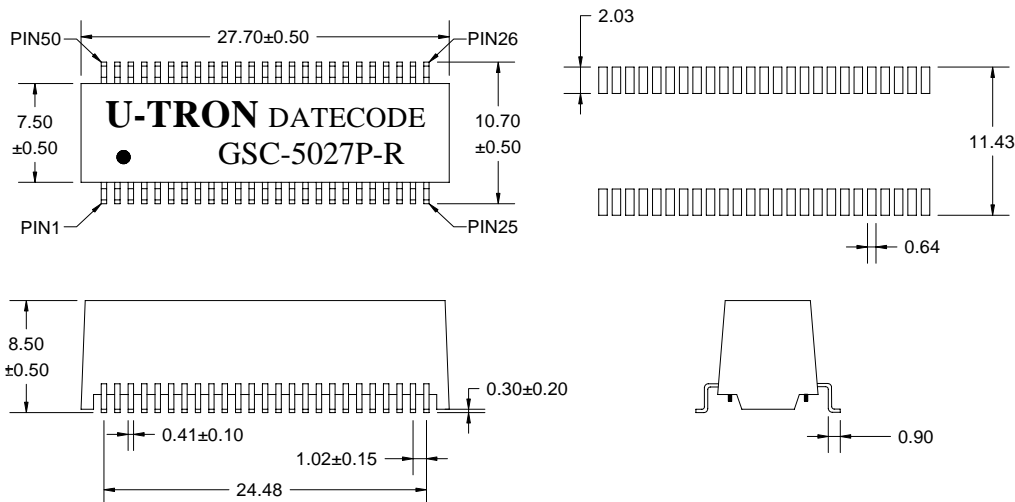
100/1000BASE-T TRANSFORMER MODULE



- Meets IEEE 802.3at specification.
- 10/100/1000BASE-T, Surface Mount Type.
- RoHS and Halogen Free compliant.
- PoE applications with 720mA current capability.
- Operating temperature range: 0°C to +70°C.
- Storage temperature range: -40°C to +125°C.

Electrical Specifications @25°C						
Part Number	Turns Ratio Pri/Sec±3%	OCL(μH min) @100KHz,0.1V with 8mA DC Bias	Crosstalk (dB MIN)			Hi-Pot (Vrms)
			1-100MHz			
GSC-5027P-R	1CT:1CT	350	-30			1500
continued						
Part Number	Insertion Loss (dB MAX)	Return Loss (dB MIN)				CMRR (dB MIN)
		1-100MHz	1-40MHz	60MHz	80MHz	
GSC-5027P-R	-1.1	-18	-14	-12	-10	-30

Mechanical



Schematic

