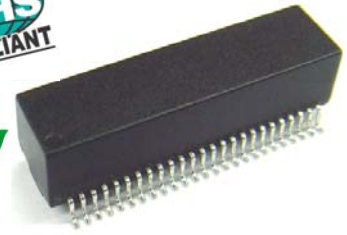


100/1000BASE-T TRANSFORMER MODULE

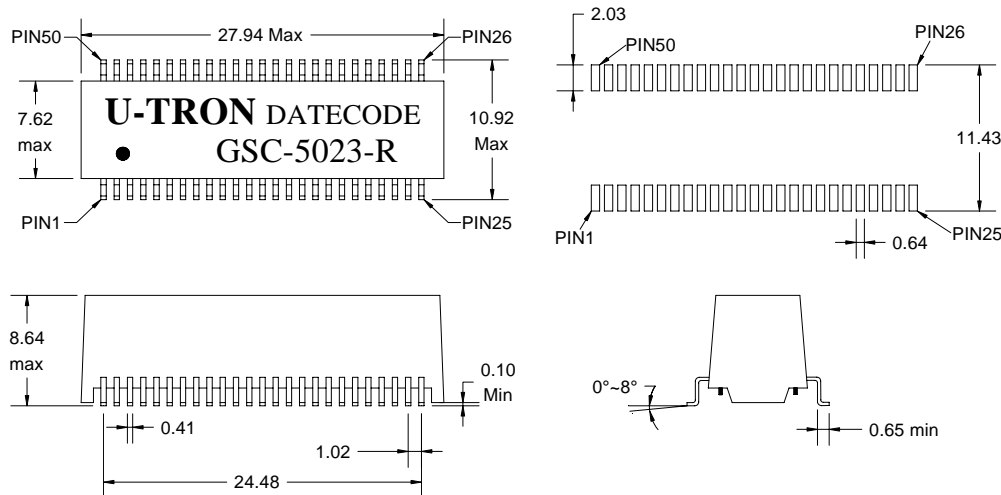


- Meets IEEE 802.3 specification.
- 10/100/1000BASE-T, Surface Mount Type.
- RoHS and Halogen Free compliant.
- Operating temperature range: 0°C to +70°C.



Electrical Specifications @25°C						
Part Number	Turns Ratio Pri/Sec ±5%	OCL(uH min) @100KHz,0.2V with 8mA DC Bias	Crosstalk (dB MIN)			Hi-Pot (Vrms)
			30MHz	60MHz	100MHz	
GSC-5023-R	1CT:1CT	350	-40	-35	-30	1500
continued						
Part Number	Insertion Loss (dB MAX)	Return Loss (dB MIN)				CMRR (dB MIN)
		0.3-100MHz	1-40MHz	60MHz	80MHz	
GSC-5023-R	-1.1	-18	-14	-12	-10	-30

Mechanical



Schematic

