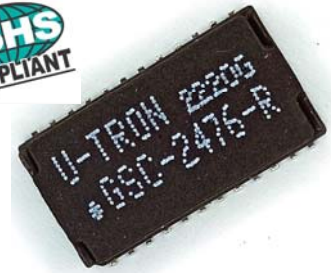


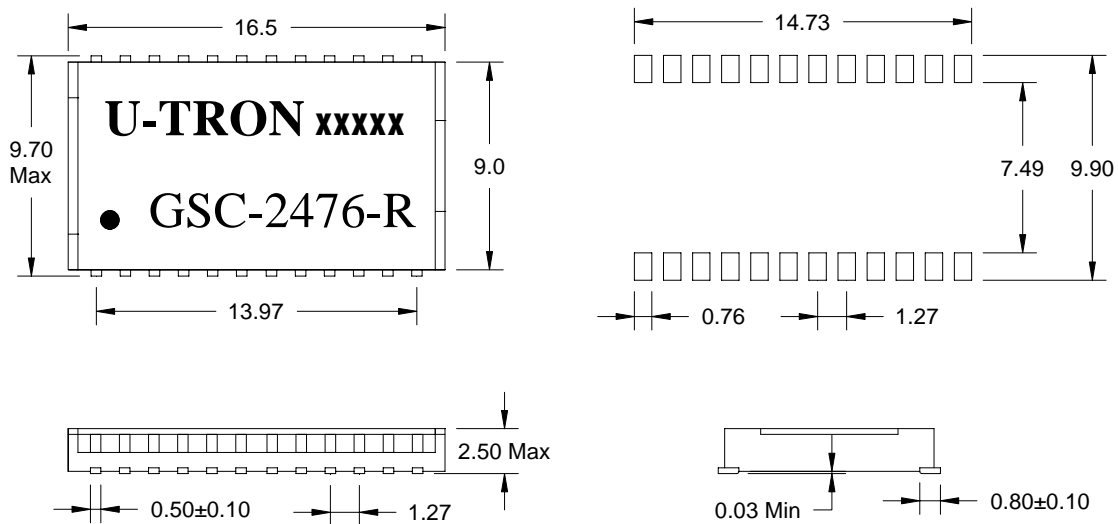
100/1000BASE-T TRANSFORMER MODULES



- Designed for Ethernet 100/1000BASE-T.
- IEEE 802.3ab(Long Haul Gigabit) Compatible.
- RoHS and Halogen Free compliant.
- Operating temperature range: 0°C to +70°C.

Electrical Specifications @25°C						
Part Number	Turns Ratio Pri/Sec±5%	OCL(uH min) @100KHz,0.2V with 8mA DC Bias	Crosstalk (dB MIN)			Hi-Pot (Vrms)
			0.1-100MHz			
GSC-2476-R	1CT:1CT	350	-30			1500
continued						
Part Number	Insertion Loss (dB MAX)	Return Loss (dB MIN)			CMRR (dB MIN)	
		1-100MHz	30MHz	60MHz		80MHz
GSC-2476-R	-1.0	-16	-12	-10	-30	

Mechanical



Dimensions: mm Unless otherwise specified, all tolerances are ± 0.25.

Schematic

