

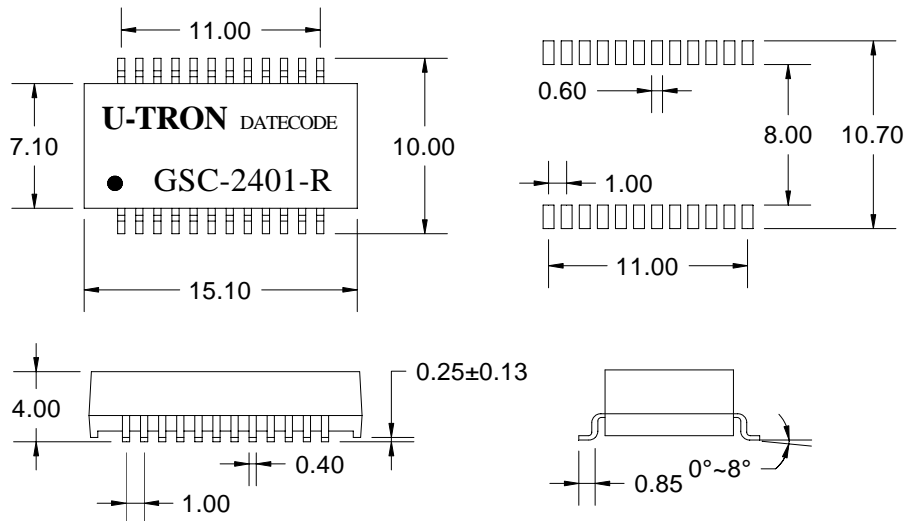
# 100/1000BASE-T TRANSFORMER MODULES



- Designed for Ethernet 100/1000BASE-T, full duplex applications.
- IEEE 802.3ab(Long Haul Gigabit) Compatible.
- RoHS and Halogen Free compliant.
- Operating temperature range: 0°C to +70°C.

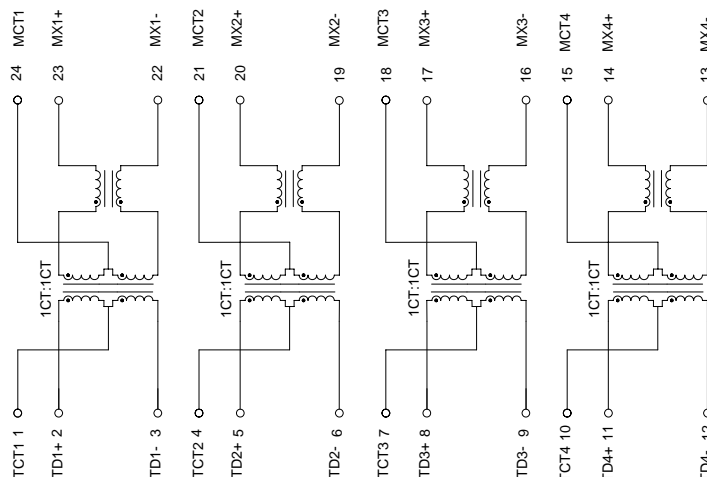
| Electrical Specifications @25°C |                         |   |                    |       |        |               |               |       |       |
|---------------------------------|-------------------------|---|--------------------|-------|--------|---------------|---------------|-------|-------|
| Part Number                     | Turns Ratio Pri/Sec ±5% | OCL(μH min) @100KHz,0.2V with 8mA DC Bias | Crosstalk (dB MIN) |       |        | Hi-Pot (Vrms) |               |       |       |
|                                 |                         |   | 30MHz              | 60MHz | 100MHz |               |               |       |       |
| GSC-2401-R                      | 1CT:1CT                 | 350                                       | -45                | -40   | -35    | 1500          |               |       |       |
| continued                       |                         |   |                    |       |        |               |               |       |       |
| Part Number                     | Insertion Loss (dB MAX) | Return Loss (dB MIN)                      |                    |       |        |               | CMRR (dB MIN) |       |       |
|                                 |                         | 1-100MHz                                  | 1-30MHz            | 40MHz | 50MHz  | 60-80MHz      | 100MHz        | 30MHz | 60MHz |
| GSC-2401-R                      | -1.0                    | -18                                       | -14.4              | -13.1 | -12    | -10           | -40           | -35   | -30   |

## Mechanical



Dimensions: mm Unless otherwise specified, all tolerances are ± 0.25.

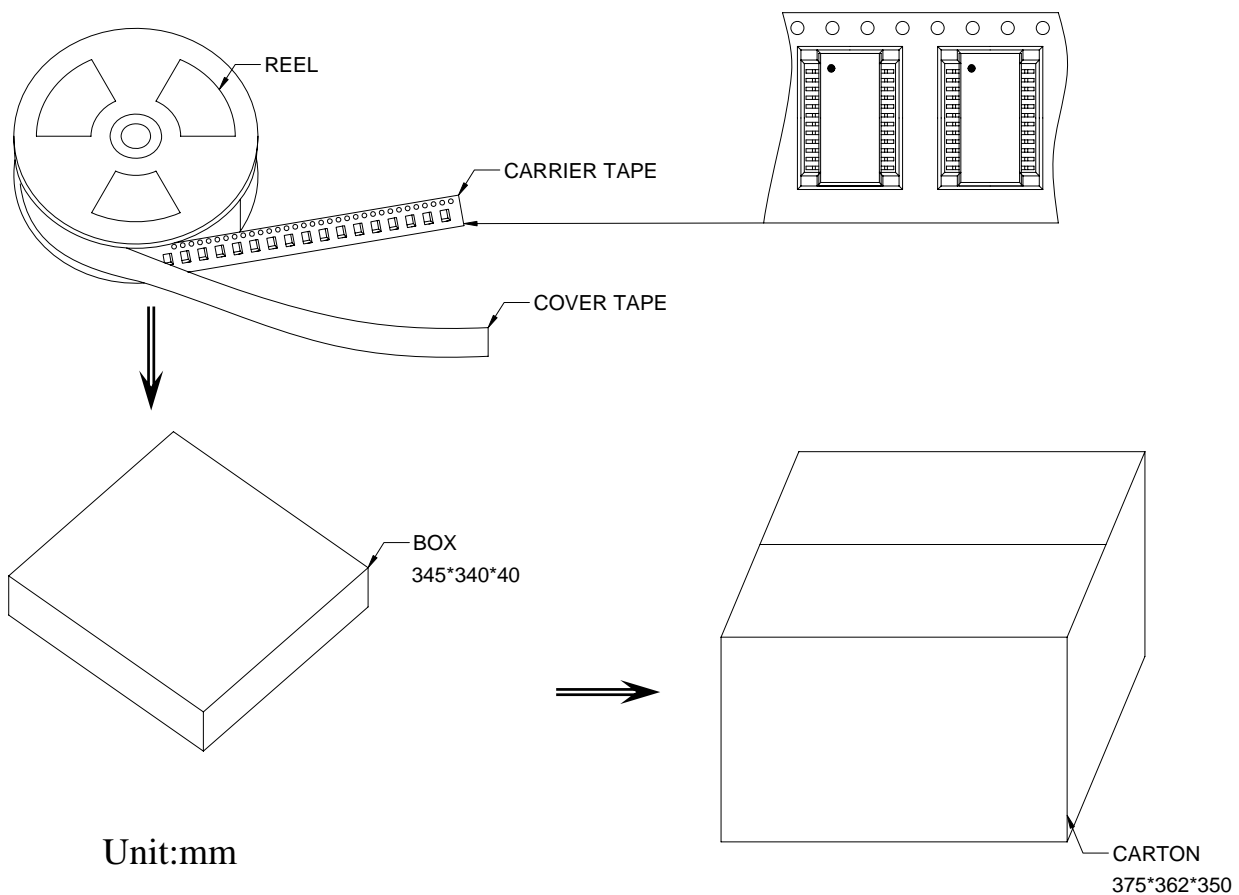
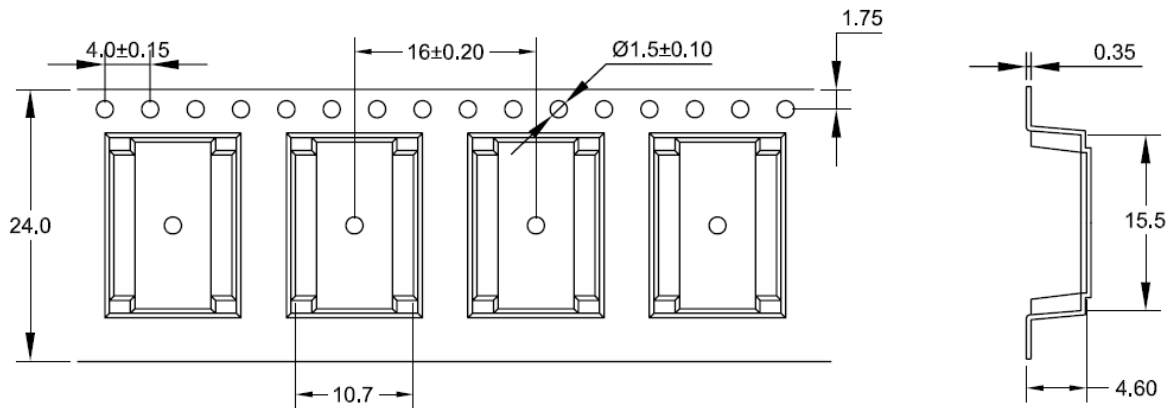
## Schematic



# 100/1000BASE-T TRANSFORMER MODULES



P/N: GSC-2401-R



Unit:mm

800PCS/REEL  
800PCS/BOX  
5600PCS/CARTON