

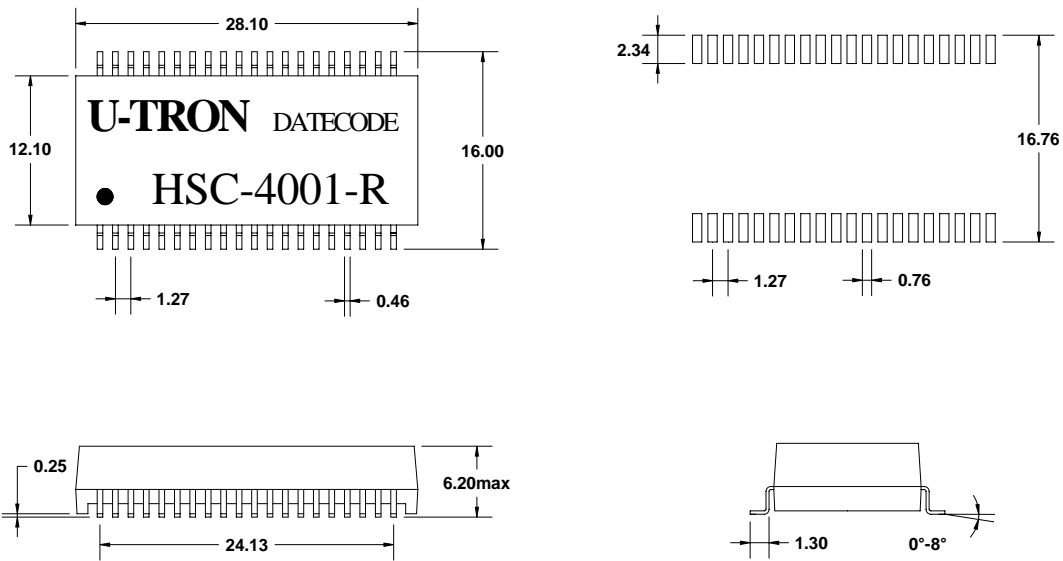
# 10/100BASE-T TRANSFORMER MODULE



- RoHS peak reflow temperature rating 245°C.
- Meets IEEE 802.3&ANSI X3.263 Standards.
- RoHS and Halogen Free compliant.
- Operating temperature range: 0°C to +70°C.

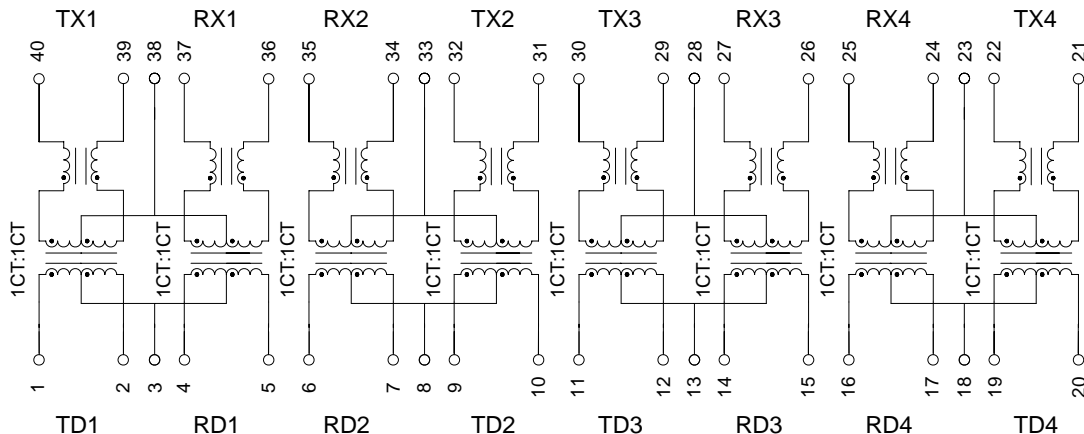
Electrical Specifications @25°C								
Part Number	Turns Ratio Pri/Sec ±5%	OCL(uH min) @100KHz,0.2V with 8mA DC Bias	Crosstalk (dB MIN)			Hi-Pot (Vrms)		
			0.3-30MHz	60-100MHz				
HSC-4001-R	1CT:1CT	350	-42	-33	1500			
continued								
Part Number	Insertion Loss (dB MAX)	Return Loss (dB MIN)				CMRR (dB MIN)		
		0.3-100MHz	0.3-30MHz	40MHz	50MHz	60-80MHz	0.3-30MHz	60MHz
HSC-4001-R	-1.1	-18	-14.4	-13.1	-12	-40	-35	-30

## Mechanical



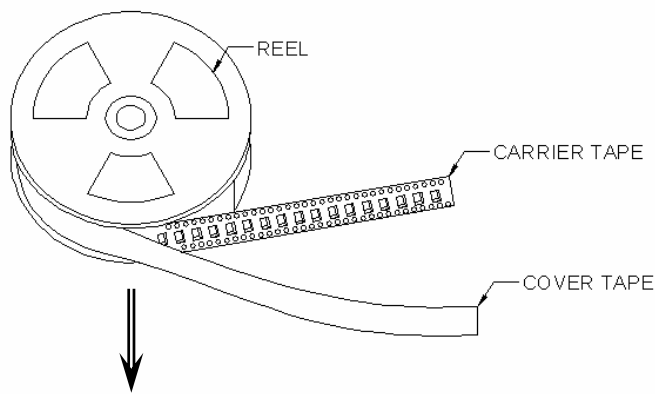
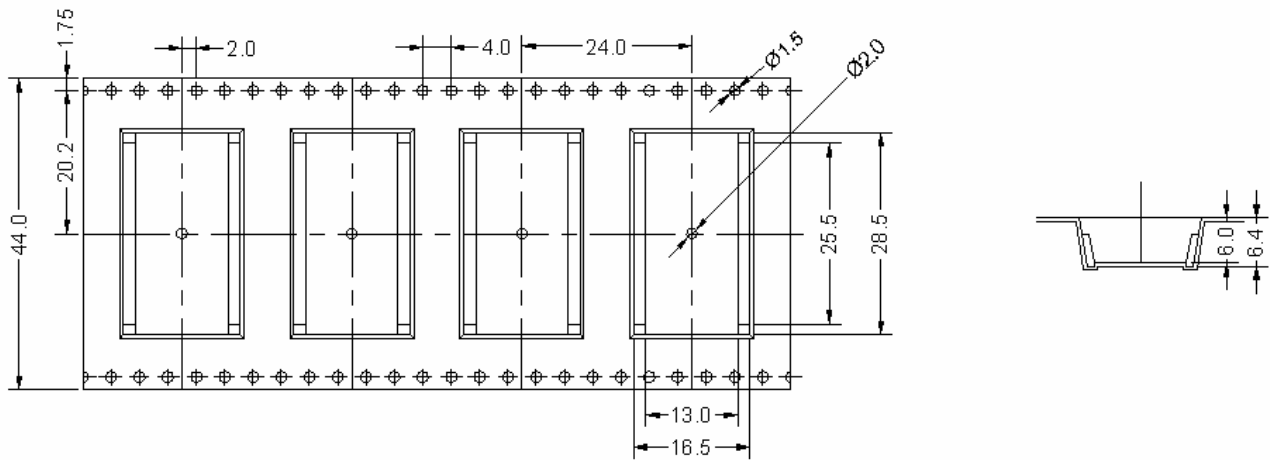
Dimensions: mm Unless otherwise specified, all tolerances are ± 0.25.

## Schematic



# 10/100BASE-T TRANSFORMER MODULE

P/N: HSC-4001-R



350PCS/REEL

350PCS/BOX

1400PCS/CARTON

