

10/100BASE-T TRANSFORMER FOR PCMCIA



- Low profile packages for PC card and cardbus applications.
- Meets IEEE 802.3 specification.
- Reflow temperature rating 260°C.
- RoHS and Halogen Free compliant.

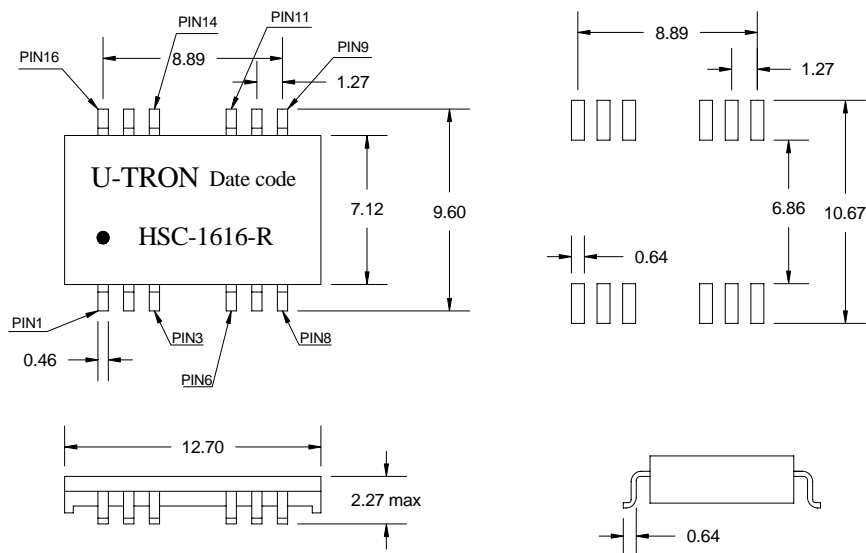
Electrical Specifications @ 25°C(Operating Temperature 0°C to 70°C)

Part Number	Turns Ratio Pri/Sec ±3%	OCL (uH MIN)	L/L (uH MAX)	Cw/w (pF TYP)	DCR (Ω MAX)
HSC-1616-R	1CT:1CT	350	0.3	15	1.4

continued

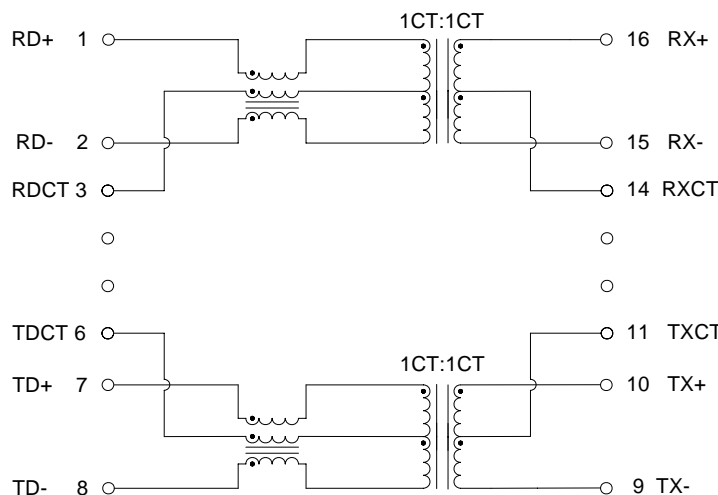
Part Number	Insertion Loss (dB MAX)	Return Loss (dB MIN)			CMRR (dB MIN)	Crosstalk (dB MIN)	Hi-Pot (Vrms)
	1-100MHz	30MHz	60MHz	80MHz	0.3-100MHz	0.3- 100MHz	
HSC-1616-R	-1.1	-16	-12	-10	-30	-30	1500

Mechanical



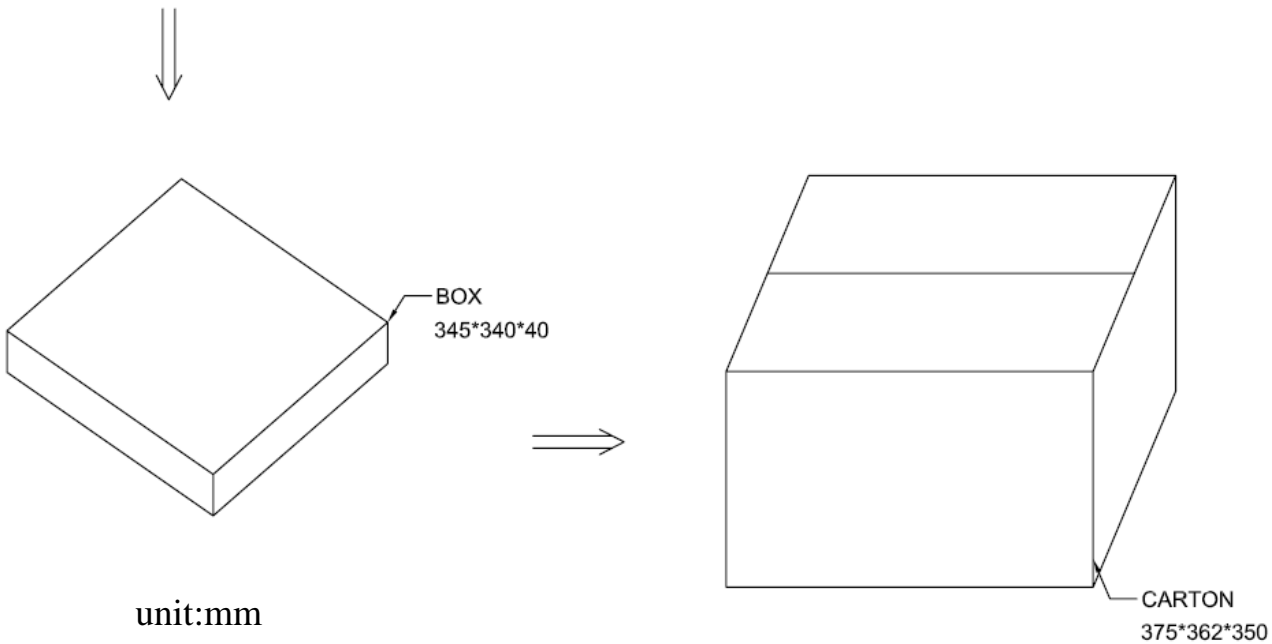
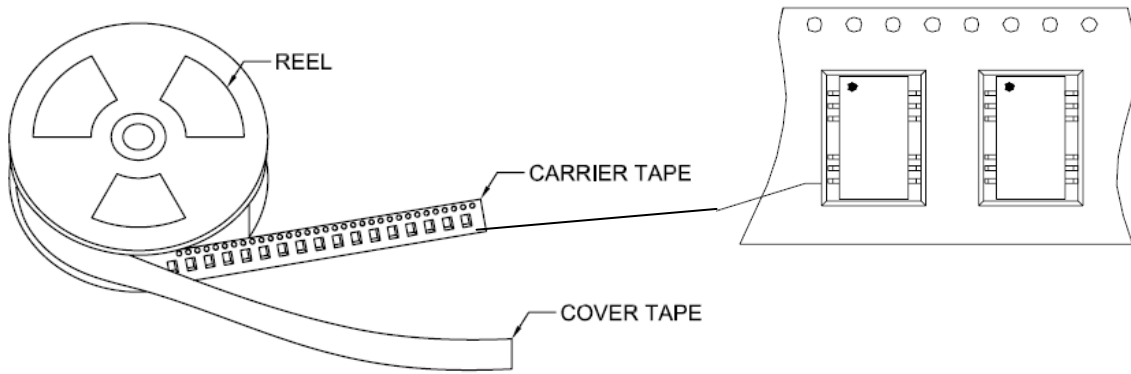
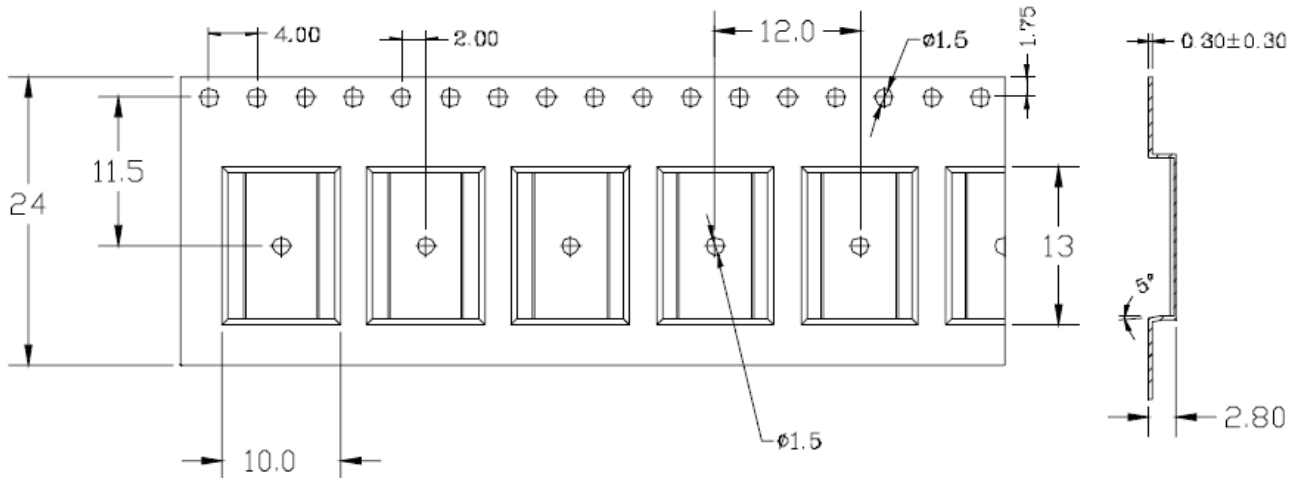
Dimensions: mm Unless otherwise specified, all tolerances are ± 0.25.

Schematic



10/100BASE-T TRANSFORMER MODULE

P/N: HSC-1616-R



2000PCS/REEL 2000PCS/BOX 14000PCS/CARTON