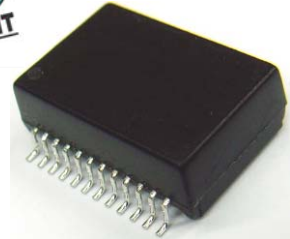


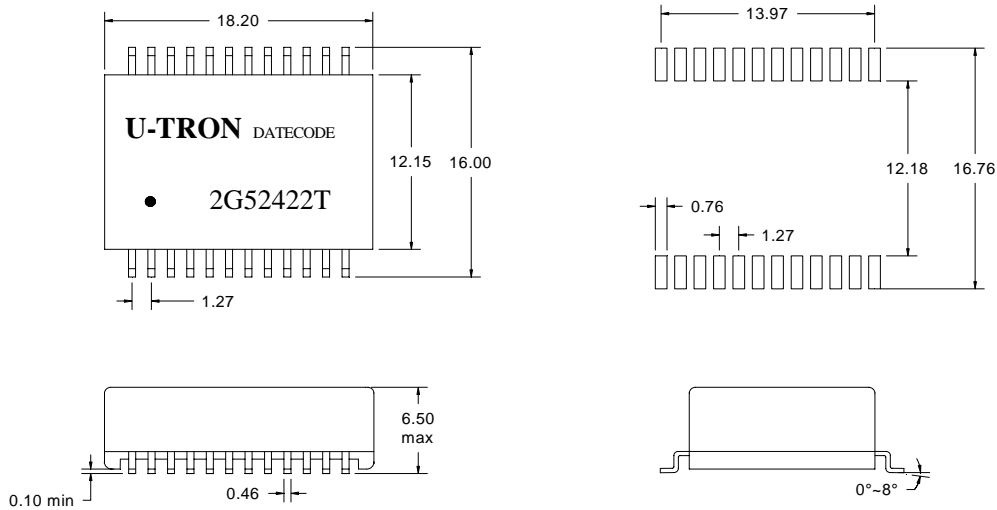
2.5G BASE-T TRANSFORMER MODULES



- 2.5GBASE-T ethernet discrete transformer.
- Meets IEEE 802.3 specification.
- RoHS and Halogen Free compliant.
- Operating temperature range: -40°C to +85°C.

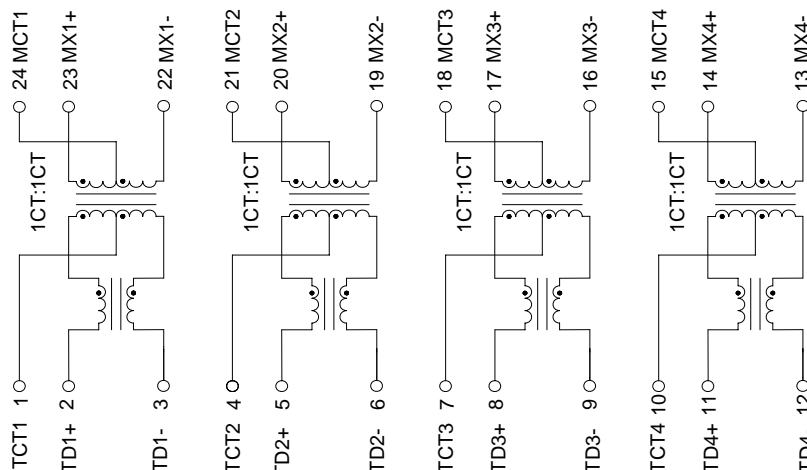
| Electrical Specifications @25°C | | | | | | |
|---------------------------------|-------------------------|---|----------------------|---------------|------------|---------------|
| Part Number | Turns Ratio Pri/Sec±3% | OCL(uH min) @100KHz,0.1V With 8mA DC Bias | Return Loss (dB MIN) | | | |
| | | | 1-40MHz | 40-100MHz | 100-200MHz | |
| 2G52422T | 1CT:1CT | 180 | -20 | -16 | -10 | |
| continued | | | | | | |
| Part Number | Insertion Loss (dB MAX) | | Crosstalk (dB MIN) | CDMR (dB MIN) | | Hi-Pot (Vrms) |
| | 1-50MHz | 50-125MHz | 1-125MHz | 1-100MHz | 100-200MHz | |
| 2G52422T | -0.5 | -1.0 | -35 | -30 | -25 | 1500 |

Mechanical



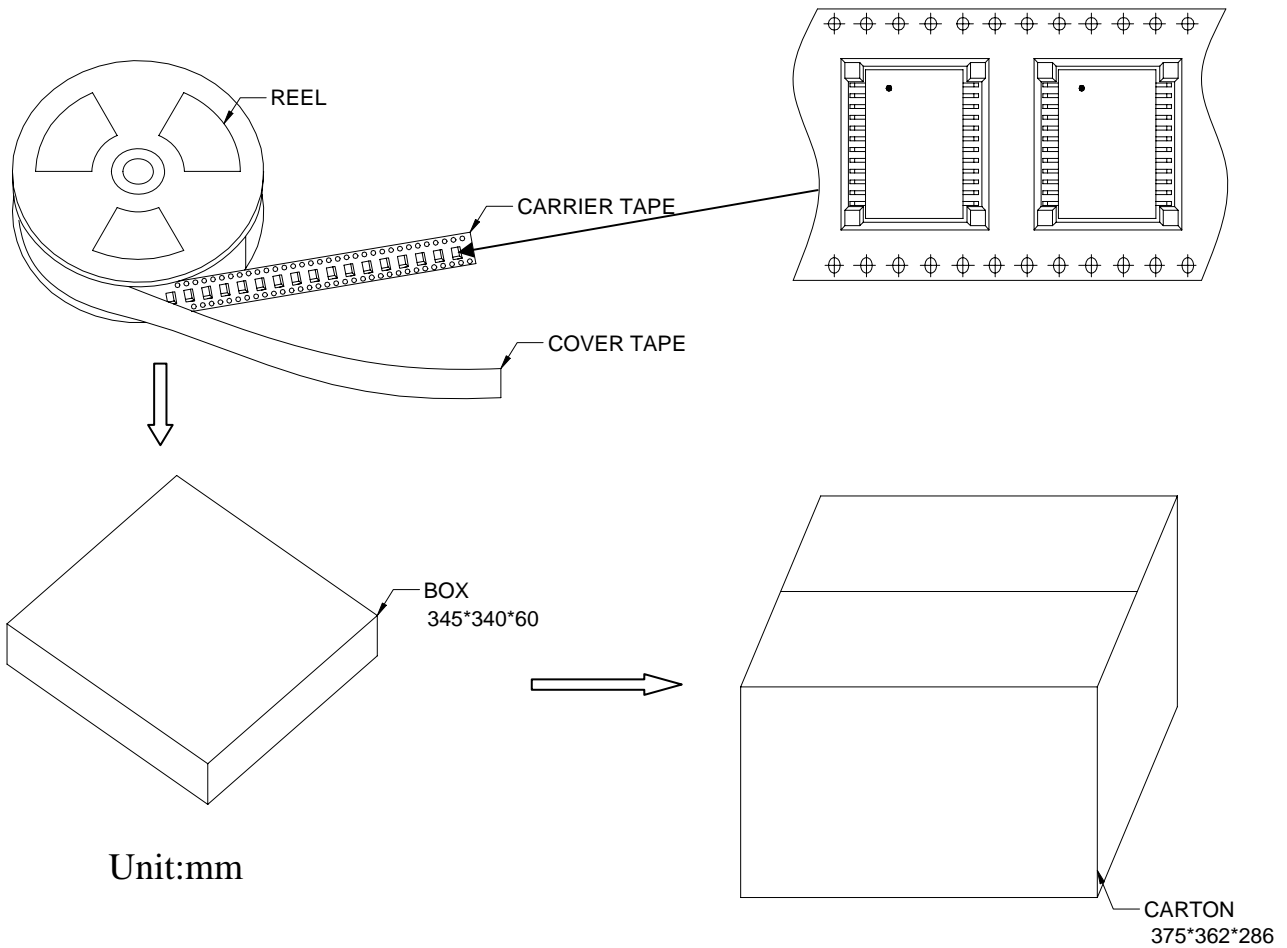
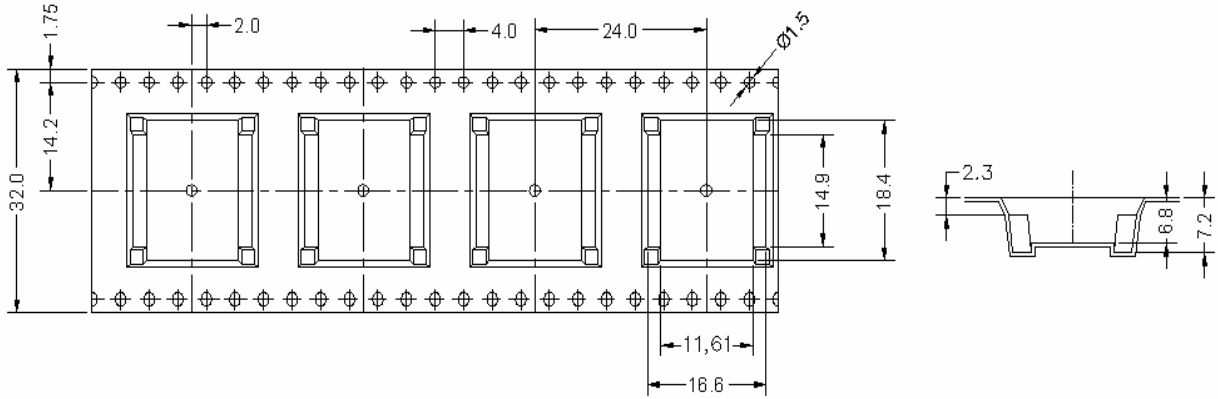
Dimensions: mm Unless otherwise specified, all tolerances are ± 0.25.

Schematic



2.5G BASE-T TRANSFORMER MODULES

P/N: 2G52422T



400PCS/REEL
400PCS/BOX
1600PCS/CARTON