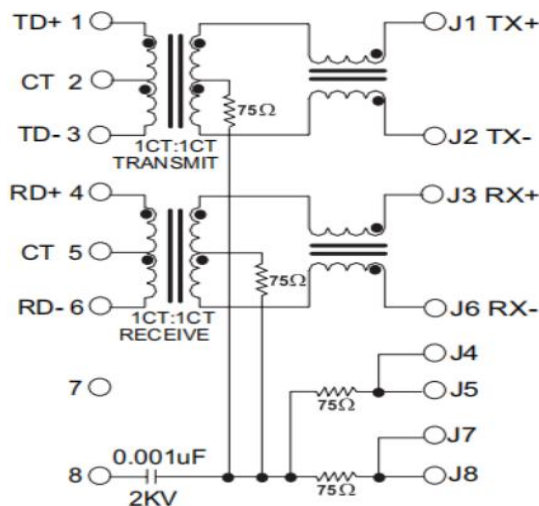


Electrical Specifications @25°C



- OCL:350uH Min. @100KHz, 0.1V, 8mA DC BIAS
- TURNS RATIO:1CT:1CT(±3%)
- DCR: 1.2Ω Max.
- HI-POT:1500Vrms
- INSERTION LOSS: -1.0dB Max. @1-100MHz
- RETURN LOSS: -16.0dB Min. @1-30MHz
-12.0dB Min. @30-60MHz
-10.0dB Min. @60-100MHz
- CROSS TALK:-30dB Min. @1-100MHz
- CMRR: -30dB Min. @1-100MHz
- Terminal:0.35mm thick phosphorbronze plated with 6u gold in contact area
- Housing Material and Terminals Bracket: PBT Black
- Shield: C2680T=0.2mm,Nickel plating on all area
- Operating temperature range: 0°C to +70°C

Schematic



Mechanical

