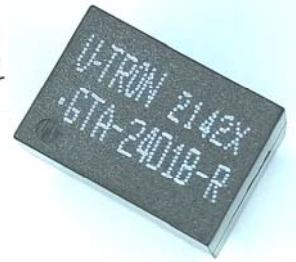


100/1000BASE-T TRANSFORMER MODULE

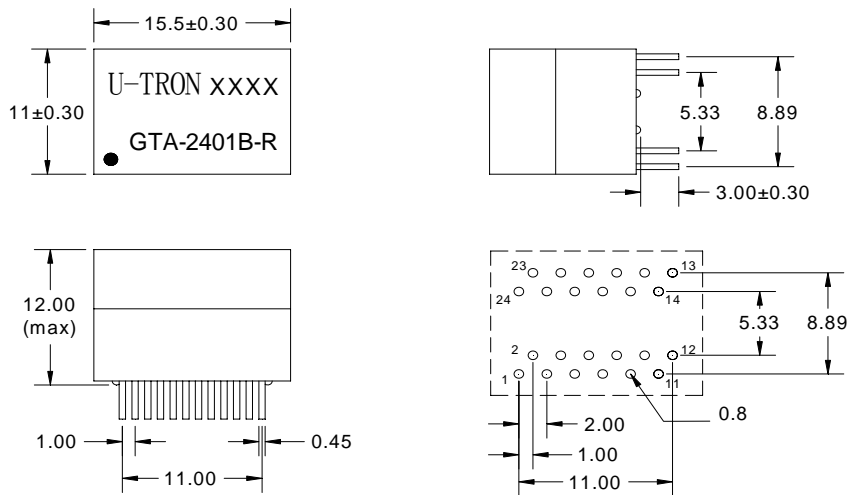


- Meets IEEE 802.3 specification.
- Designed for Ethernet 100/1000BASE-T.
- RoHS and Halogen Free compliant.
- Operating temperature range: 0°C to +70°C.



Electrical Specifications @25°C								
Part Number	Turns Ratio Pri/Sec ±5%	OCL(uH min) @100KHz,0.2V with 8mA DC Bias	Crosstalk (dB MIN)			Hi-Pot (Vrms)		
			30MHz	60-100MHz				
GTA-2401B-R	1CT:1CT	350	-42	-35				1500
continued								
Part Number	Insertion Loss (dB MAX)	Return Loss (dB MIN)				CMRR (dB MIN)		
		1-100MHz	1-30MHz	40MHz	50MHz	60-80MHz	30MHz	60MHz
GTA-2401B-R	-1.0	-18	-14.4	-13.1	-12	-40	-35	-30

Mechanical



Dimensions: mm Unless otherwise specified, all tolerances are ± 0.25 .

Schematic

