

100/1000BASE-T TRANSFORMER MODULES

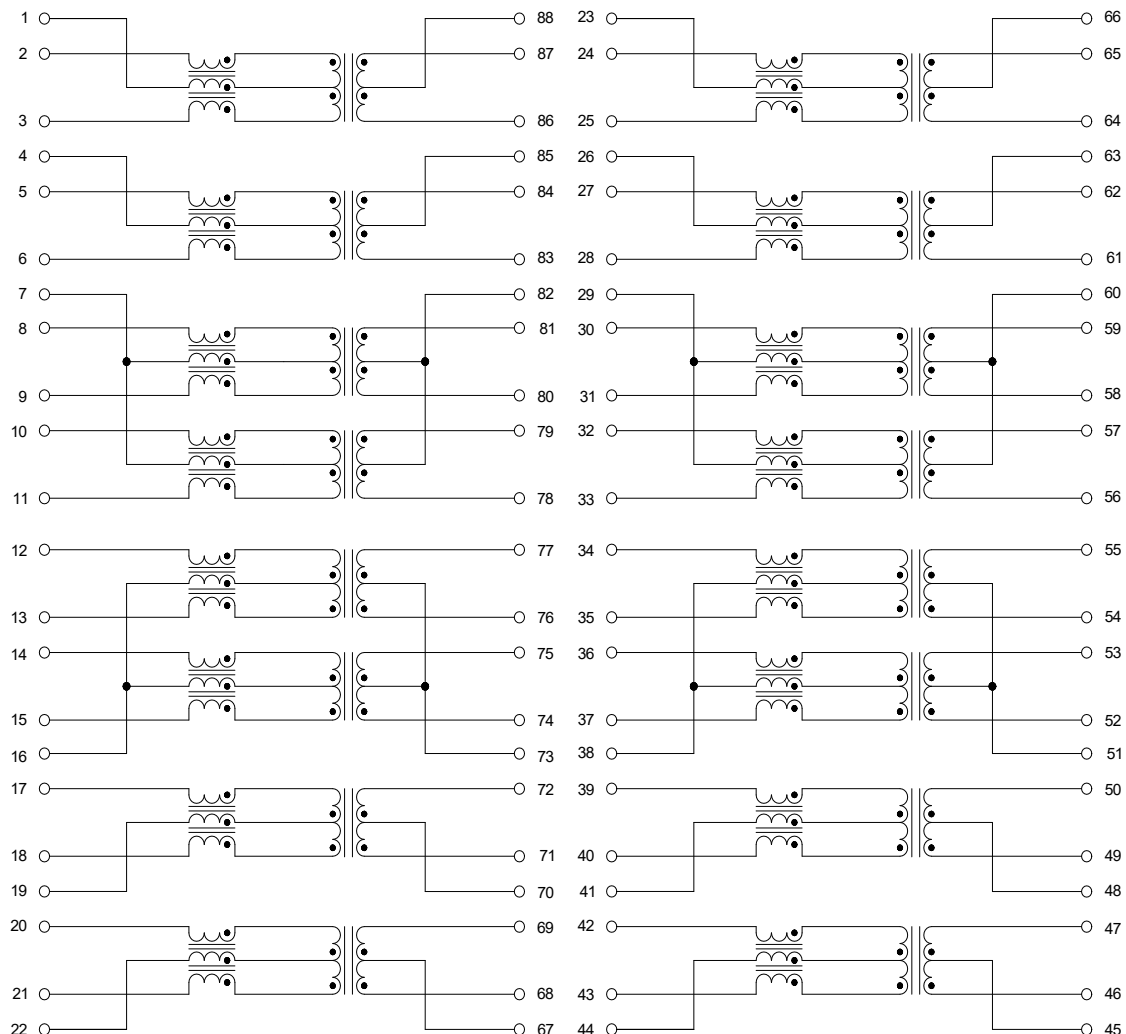


- Designed for Ethernet 100/1000BASE-T, full duplex applications.
- Cable interface for isolation and low common Mode emissions.
- RoHS and Halogen Free compliant.
- Operating temperature range: -40°C to +85°C.
- Storage temperature range: -40°C to +85°C.

Electrical Specifications @25°C

Part Number	Turns Ratio Pri/Sec ±5%	OCL(uH min) @100KHz, 0.2V with 8mA DC Bias	Crosstalk (dB MIN)			Hi-Pot (Vrms)	
			30MHz	60MHz	100MHz		
GTS-8808T-R	1CT:1CT	350	-40	-35	-30	1500	
continued							
Part Number	Insertion Loss (dB MAX)	Return Loss (100Ω±15%) (dB MIN)			CMRR (dB MIN)		
		0.3-100MHz	1-40MHz	40-100MHz	30MHz	60MHz	100MHz
GTS-8808T-R	-1.0	-16	-10+20log ₁₀ (f/80 MHz)		-40	-35	-30

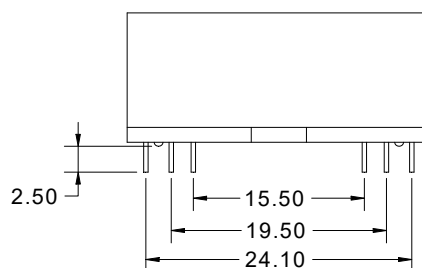
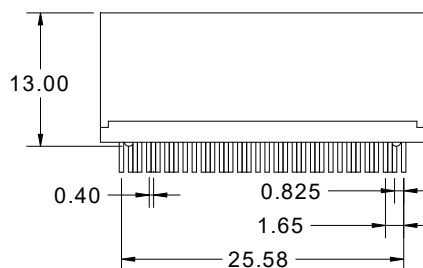
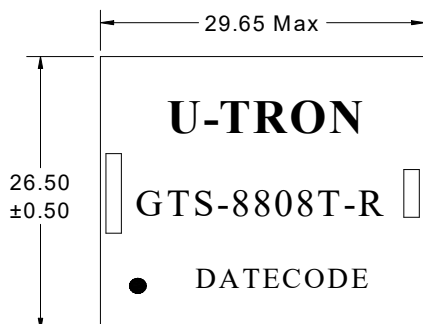
Schematic



100/1000BASE-T TRANSFORMER MODULES

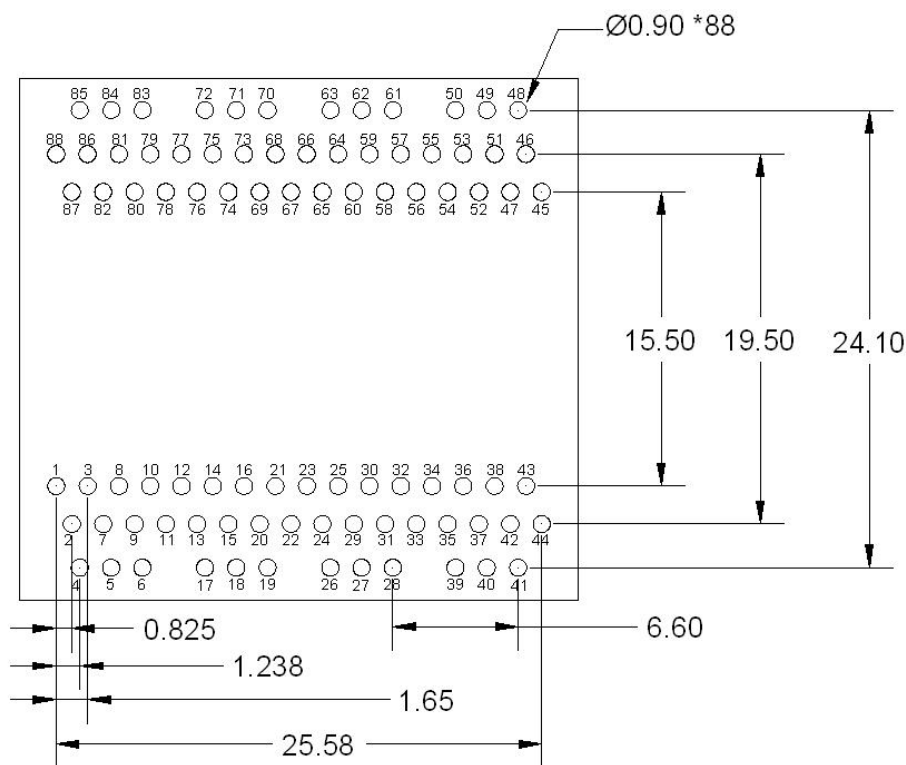


Mechanical



Dimensions: mm Unless otherwise specified, all tolerances are ± 0.25.

PCB Layout mounting Hole(Top View)



Dimensions: mm